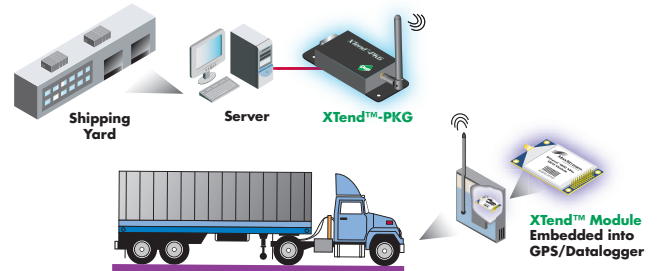


XTend™ OEM RF Modules

1 Watt/900 MHz OEM RF Modules

900 MHz OEM RF modules enable long range wireless communication from UART serial data with peer-to-peer, point-to-multipoint, repeater and DigiMesh™ networking topologies.



Features/Benefits

- Indoor/urban range up to 3000 feet
- Outdoor line-of-sight range up to 40 miles (with high gain antenna)
- Outstanding receiver sensitivity (-110 dBm @ 9600 bps)
- Peer-to-peer, point-to-multipoint, repeater, and DigiMesh™ networking topologies
- Adjustable power output from 1 mW to 1 W; up to 4 W EIRP (with 6 dBi antenna)
- Low power consumption for power-sensitive applications
 - Pin, serial port and cyclic sleep modes available
- Fully interoperable with other Digi Drop-in Networking products, including extenders and XTend-PKG modems
- RPSMA and MMCX antenna options

Overview

The XTend OEM RF module provides unprecedented range in a low-cost wireless data solution. The module is easy to use, requires minimal power, provides reliable delivery of critical data between devices, and its small form factor saves valuable board space.

The XTend module utilizes FHSS (Frequency Hopping Spread Spectrum) agility to avoid interference by hopping to a new frequency on every packet transmission or re-transmission. Its transmit power is software adjustable from 1 mW to 1 W—the maximum output power allowable by governments that use 900 MHz as a license-free band. The XTend module is approved for use in the United States, Canada, Australia and other countries (contact Digi for a complete listing).

Innovations stamped in its design enable the XTend module to supply two- to eight-times the range of other modules operating within the unlicensed 900 MHz frequency band. The range gained by OEMs and integrators is due to proprietary technologies embedded into each module, including superior RX (receiver) sensitivity, interference immunity, modulation/demodulation techniques, and others.

No configuration is necessary for out-of-the-box RF communication. The XTend module's default configuration supports a wide range of data system applications. Advanced configurations can be implemented using simple AT or binary commands.

Features/Specifications

PERFORMANCE

- Indoor/Urban range (w/ 2.1 dB dipole antenna): Up to 3000 feet (900 m)
- Outdoor RF line-of-sight range (w/high gain antenna): Up to 40 miles (64 km)
- Outdoor RF line-of-sight range (w/ 2.1 dB dipole antenna): Up to 14 miles (22 km)
- Transmit power output (software selectable): 1mW - 1W (0 - 30 dBm)
- Interface data rate: 10 - 230,400 bps (including non-standard baud rates)
- Receiver sensitivity: -110 dBm (@9,600 bps throughput data rate), -100 dBm (@115,200 bps)
- Throughput data rate (software selectable): 9,600 or 115,200 bps
- RF data rate: 10,000 bps or 125,000 bps

ENVIRONMENTAL

- Operating temperature: -40° C to 85° C (Industrial)

CERTIFICATIONS

- FCC ID (U.S. Certification Part 15.247):
 - OUR-9XTEND
- IC ID (Canada):
 - 4214A-9XTEND
- Australia

POWER REQUIREMENTS

- Supply voltage: 2.8 – 5.5VDC
- RX current: 80 mA
- Transmit current: See chart below
- Shutdown pin power-down: < 1 μ A
- Pin sleep power down: 147 μ A
- Cyclic sleep (idle current): 0.3 – 0.8 mA (16 sec cyclic sleep)

NETWORKING AND SECURITY

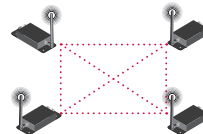
- Frequency range: ISM 902 – 928 MHz
- Spread Spectrum: FHSS (Frequency Hopping Spread Spectrum)
- Modulation: FSK (Frequency Shift Keying)
- Supported network topologies: Point-to-Point, Point-to-Multipoint, Repeater, Mesh (Mesh networking and 256-bit AES Encryption capabilities are currently only available in separate releases)
- Channel capacity: 10 hop sequences share 50 frequencies
- Encryption: 256-bit / 128-bit AES

Network Architectures

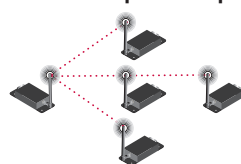
Point-to-Point



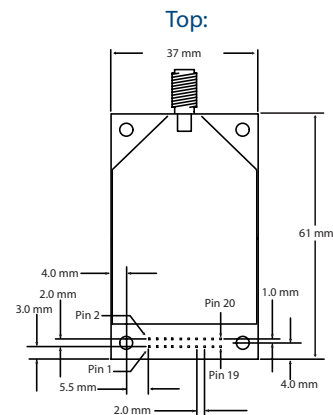
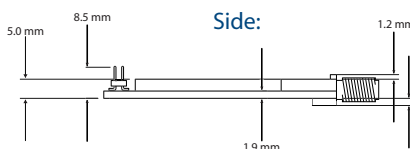
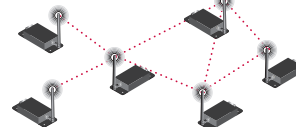
Peer-to-Peer



Point-to-Multipoint & Repeater



Mesh



Power Requirements (Relative to Each Transmit Power Output Option)

Transmit Power Output	1 mW	10 mW	100 mW	500 mW	1 W
Supply Voltage	2.8 - 5.5VDC	2.8 - 5.5VDC	2.8 - 5.5VDC	3.0 - 5.5VDC	4.75 - 5.5VDC
Transmit Current (5V) typical	110 mA	140 mA	270 mA	500 mA	730 mA
Transmit Current (3.3V) typical	90 mA	100 mA	260 mA	600 mA	N/A

Please visit www.digi.com for part numbers.

DIGI SERVICE AND SUPPORT - You can purchase with confidence knowing that Digi is here to support you with expert technical support and a one-year warranty. www.digi.com/support

**WHEN
RELIABILITY
MATTERS™**

Digi International

11001 Bren Road E.
Minnetonka, MN 55343
U.S.A.
PH: 877-912-3444
952-912-3444
FX: 952-912-4952
email: info@digi.com

Digi International

France
31 rue des Poissonniers
92200 Neuilly sur Seine
PH: +33-1-55-61-98-98
FX: +33-1-55-61-98-99
www.digi.fr

Digi International

KK
NES Building South 8F
22-14 Sakuragaoka-cho,
Shibuya-ku
Tokyo 150-0031, Japan
PH: +81-3-5428-0261
FX: +81-3-5428-0262
www.digi-intl.co.jp

Digi International

(HK) Limited
Suite 1703-05, 17/F.,
K Wah Centre
191 Java Road
North Point, Hong Kong
PH: +852-2833-1008
FX: +852-2572-9989
www.digi.cn

Digi International, the leader in device networking for business, develops reliable products and technologies to connect and securely manage local or remote electronic devices over the network or via the web. With over 20 million ports shipped worldwide since 1985, Digi offers the highest levels of performance, flexibility and quality.

www.digi.com

© 2005-2008 Digi International Inc.

All rights reserved. Digi, Digi International, the Digi logo, the When Reliability Matters logo, DigiMesh and XTend are either trademarks or registered trademarks of Digi International Inc. in the United States and other countries worldwide. All other trademarks are the property of their respective holders.

91001416
A2/408

