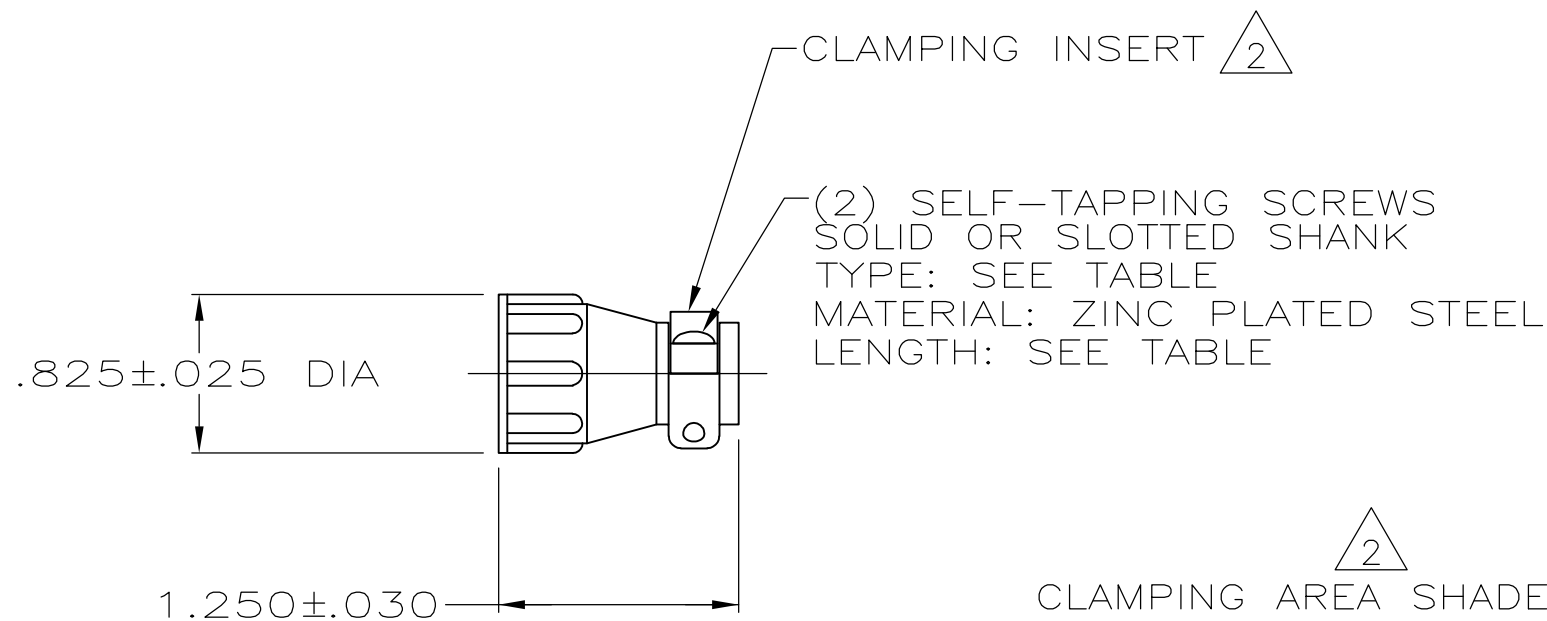


THIS DRAWING IS UNPUBLISHED. RELEASED FOR PUBLICATION
 © COPYRIGHT BY TYCO ELECTRONICS CORPORATION. ALL INTERNATIONAL RIGHTS RESERVED.

LOC	DIST	REVISIONS			
P	LTR	DESCRIPTION	DATE	DWN	APVD
		U3	REVISED PER ECO-10-012730	20SEP10	HMR MG



- 1 PARTS PACKAGED UNASSEMBLED.
- 2 CABLE CLAMPING AREA ADJUSTABLE FROM .004 TO .055 SQ IN BY REVERSING CLAMPING INSERTS.
- 3 .329 MAXIMUM CABLE OUTSIDE DIAMETER.
- 4 BULK PACKAGED KITS TO BE ORDERED IN MULTIPLES OF 400 ONLY.
- 5 OBSOLETE PART NUMBER.
- 6 STAINLESS STEEL (NON MAGNATIC).
- 7 CABLE CLAMP WITH NON-MAGNETIC STAINLESS STEEL SCREWS.
- 8 ZINC PLATED STEEL, NON-HEXAVALENT CHROMATE.
- 9 OBSOLETE PARTS: OBSOLETE CIS STREAMLINING PER D.RENAUD/D.SINISI

	BULK		.50 ^{±.00} _{-.05}	#5-20	1-206062-7	
	INDIVIDUAL		.38 ^{±.00} _{-.05}	#5-20	1-206062-6	
	BULK		.38 ^{±.00} _{-.05}	#5-20	1-206062-5	
	INDIVIDUAL		.50 ^{±.00} _{-.05}	#5-20	1-206062-4	
	INDIVIDUAL		.62 ^{±.00} _{-.05}	#5-20	1-206062-3	
	INDIVIDUAL		.50 ^{±.00} _{-.05}	#5-20	1-206062-2	
	SUPERSEDED BY 1-206062-3		INDIVIDUAL		.62 ^{±.00} _{-.05} #5-20 1-206062-1	
	OBSOLETE		SMALL PACK		.38 ^{±.00} _{-.05} #5-20 1-206062-0	
	AMP BRAZIL USE ONLY		INDIVIDUAL		12mm ^{+.0} _{-.8} 3mm-20 206062-9	
	AMP BRAZIL USE ONLY		INDIVIDUAL		10mm ^{+.0} _{-.8} 3mm-20 206062-8	
	SUPERSEDED BY 1-206062-7			BULK		.50 ^{±.00} _{-.05} #5-20 206062-4
	SUPERSEDED BY 1-206062-4		INDIVIDUAL		.50 ^{±.00} _{-.05} #5-20 206062-3	
	SUPERSEDED BY 1-206062-5			BULK		.38 ^{±.00} _{-.05} #5-20 206062-2
	SUPERSEDED BY 1-206062-6		INDIVIDUAL		.38 ^{±.00} _{-.05} #5-20 206062-1	
	PACKAGING		SCREW FINISH	SCREW LENGTH	SCREW TYPE	PART NUMBER

THIS DRAWING IS A CONTROLLED DOCUMENT.		DWN A GRAFF 4/29/91	Tyco Electronics Corporation Harrisburg, PA 17105-3608	
DIMENSIONS: INCHES		CHK W.G.LENKER 7-22-92		
TOLERANCES UNLESS OTHERWISE SPECIFIED:		APVD	NAME	
0 PLC ± -		PRODUCT SPEC	CABLE CLAMP KIT, STANDARD, SHELL SIZE 11, CPC	
1 PLC ± -		APPLICATION SPEC	-	
2 PLC ± -		WEIGHT	SIZE	CAGE CODE
3 PLC ± -			A3	00779
4 PLC ± -			DRAWING NO	RESTRICTED TO
ANGLES ± -			G-206062	-
FINISH			SCALE	SHEET
THERMOPLASTIC			NTS	1 OF 1
		CUSTOMER DRAWING	REV	U3