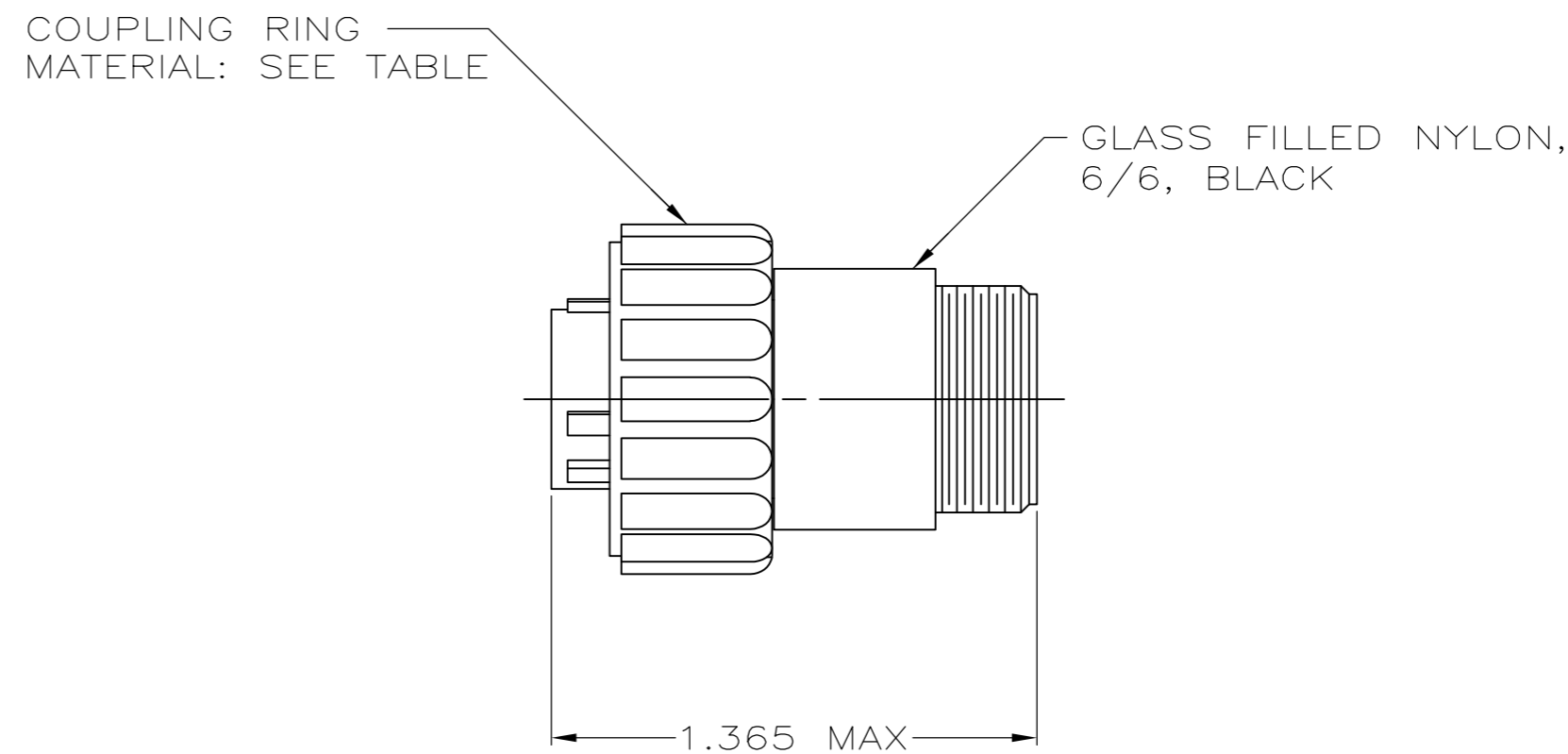
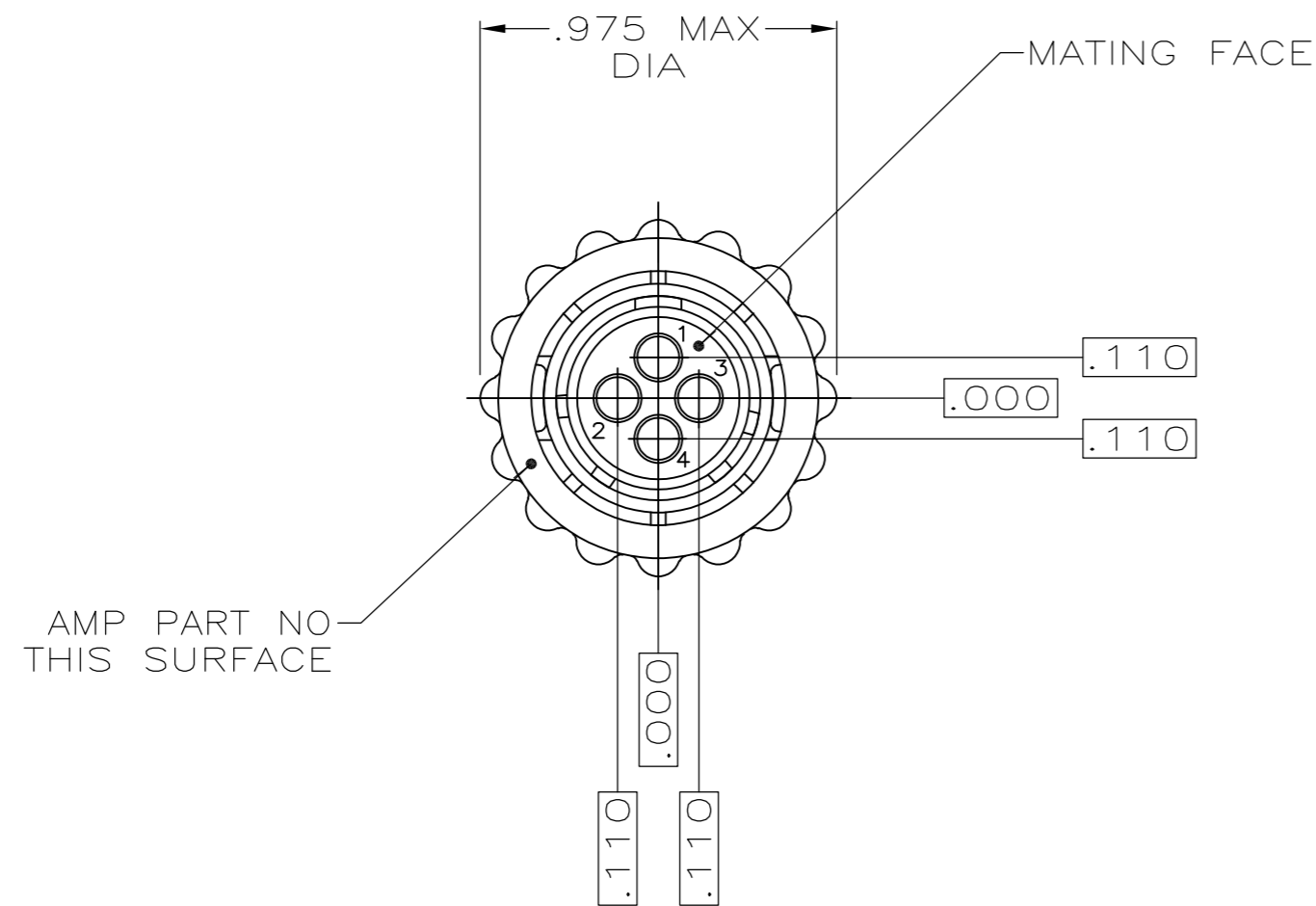


THIS DRAWING IS UNPUBLISHED. RELEASED FOR PUBLICATION
 © COPYRIGHT BY TYCO ELECTRONICS CORPORATION. ALL RIGHTS RESERVED.

LOC	DIST	REVISIONS					
FT	0	P	LTR	DESCRIPTION	DATE	DWN	APVD
		D1		REVISED PER ECO-05-675	8/30/05	SS	SH
		D2		REVISED PER ECO-09-021826	10SEP09	KK	AEG



1. CONTACT CAVITIES IDENTIFIED BY CHARACTERS ON FRONT AND REAR FACES OF CONNECTOR.
2. THIS CONNECTOR WILL ACCEPT FOUR (4) MULTIMATE PIN CONTACTS.

3 OBSOLETE PARTS: OBSOLETE CIS STREAMLINING PER D.RENAUD/D.SINISI

3 OBSOLETE	DIE CAST ZINC	206429-2
	POLYESTER, BLACK	206429-1
	COUPLING RING MATERIAL	PART NUMBER

THIS DRAWING IS A CONTROLLED DOCUMENT.		DWN S.RIDGLEY BG 8/2/90	Tyco Electronics Corporation Harrisburg, PA 17105-3608	
DIMENSIONS: INCHES		CHK R.STONE 04/26/91	PLUG ASSEMBLY, SHELL SIZE 11, REVERSE SEX, SERIES 1, CPC	
TOLERANCES UNLESS OTHERWISE SPECIFIED:		APVD -	SIZE A2	CAGE CODE 00779
0 PLC ± -	1 PLC ± -	PRODUCT SPEC -	DRAWING NO C=206429	RESTRICTED TO -
2 PLC ± -	3 PLC ± -	APPLICATION SPEC -	SCALE 2:1	SHEET 1 of 1
4 PLC ± -	ANGLES ± -	WEIGHT -	CUSTOMER DRAWING	REV D2
MATERIAL -	FINISH -			