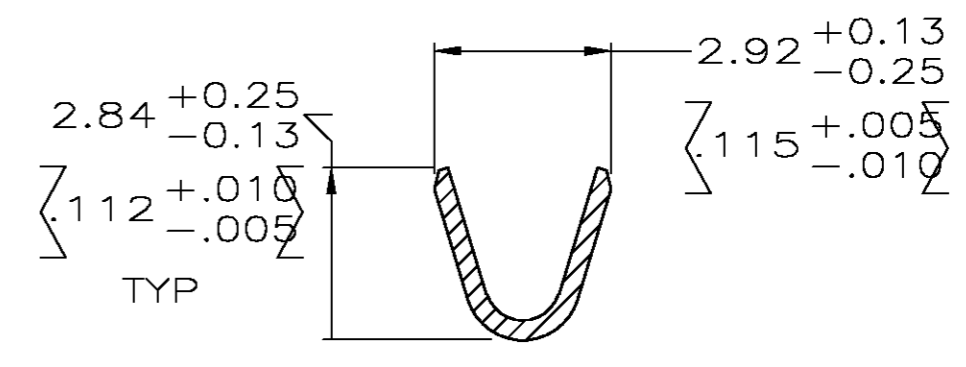
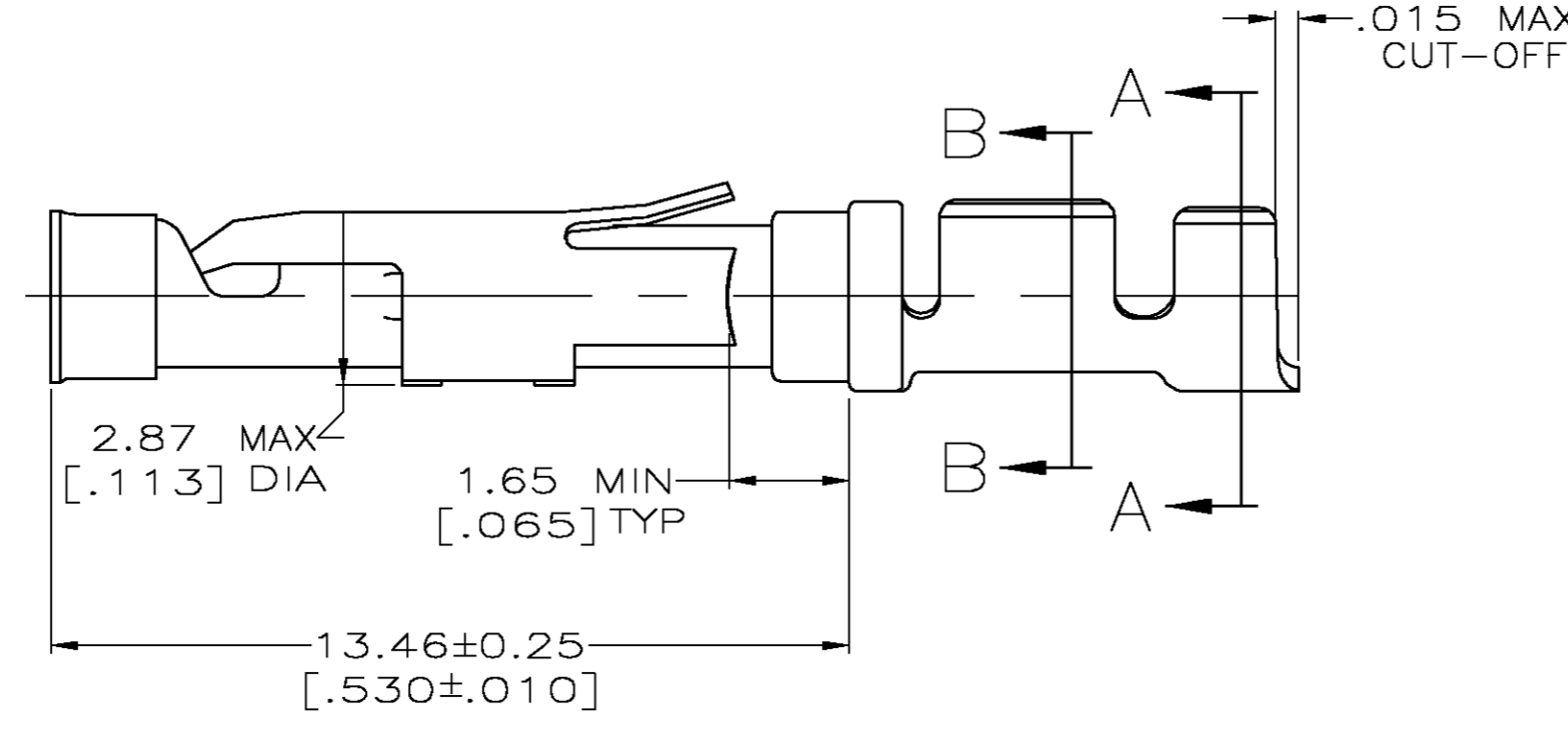
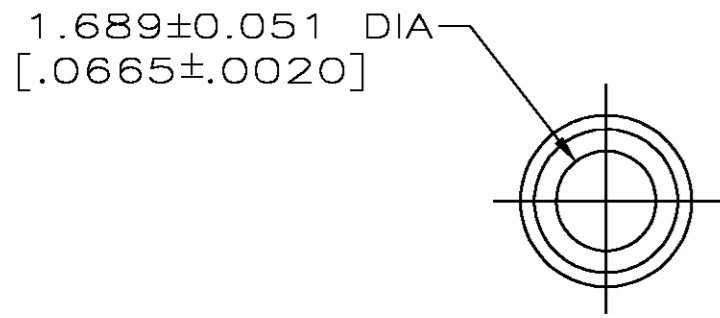
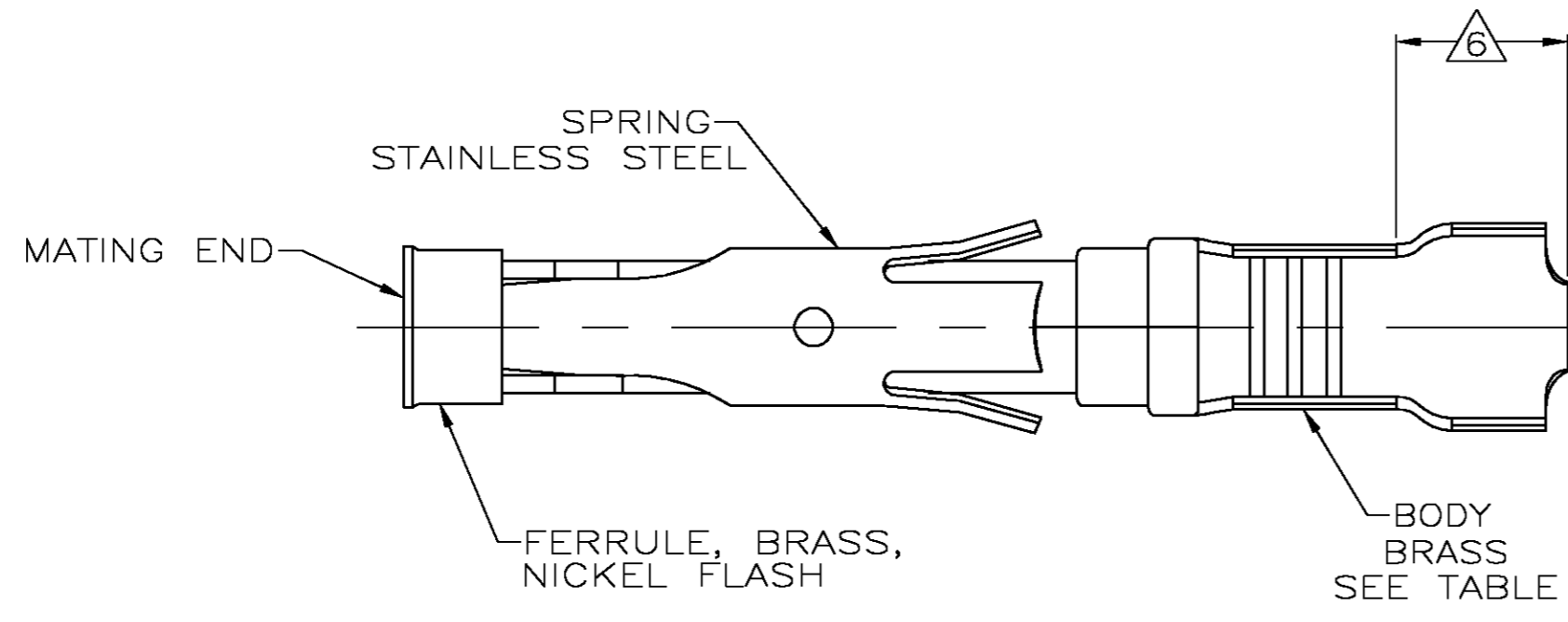
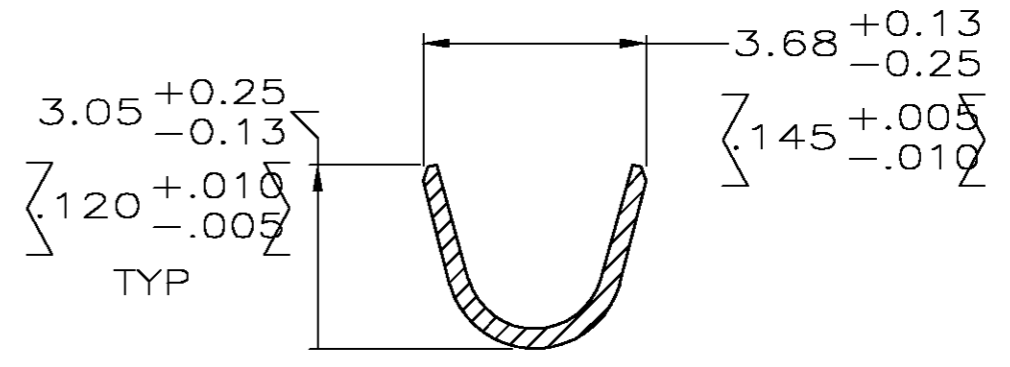


THIS DRAWING IS UNPUBLISHED. RELEASED FOR PUBLICATION
 © COPYRIGHT BY TYCO ELECTRONICS CORPORATION. ALL RIGHTS RESERVED.

| LOC | DIST | REVISIONS | | | |
|-----|------|-------------|--------------|---------|-------|
| P | LTR | DESCRIPTION | DATE | DWN | APVD |
| FT | 47 | D | OG3B-0344-03 | 29APR03 | TK GS |



SECTION B-B



SECTION A-A

- 1 0.76µm [.000030] MIN GOLD PER MIL-G-45204 ON MATING END FOR A LENGTH OF 5.08 [.200] MIN WITH GOLD FLASH ON THE REMAINDER OVER 0.76µm [.000030] MIN NICKEL PER QQ-N-290.
- 2 1.27µm [.000050] MIN TIN-LEAD PER MIL-T-10727 OVER 0.76µm [.000030] MIN NICKEL PER QQ-N-290.
- 3 0.76µm [.000030] MIN GOLD PER MIL-G-45204 ON MATING END FOR A LENGTH OF 5.08 [.200] MIN WITH A UNIFORM GRADIENT TO 0.25µm [.000010] MIN GOLD PER MIL-G-45204 ON THE REMAINDER OVER 0.76µm [.000030] MIN NICKEL PER QQ-N-290.
- 4 0.38µm [.000015] MIN GOLD PER MIL-G-45204 ON MATING END FOR A LENGTH OF 5.08 [.200] MIN WITH GOLD FLASH ON THE REMAINDER OVER 0.76µm [.000030] MIN NICKEL PER QQ-N-290.
- 5 0.38µm [.000015] MIN GOLD PER MIL-G-45204 ON MATING END FOR A LENGTH OF 5.08 [.200] MIN, 1.27µm [.000050] MIN TIN-LEAD PER MIL-T-10727 FOR A LENGTH OF 5.69 [.224] MIN ON OPPOSITE END, BOTH OVER 1.27µm [.000050] MIN NICKEL PER QQ-N-290 ON ENTIRE CONTACT.
- 6 GOLD PLATING NOT REQUIRED IN THIS AREA.
- 7. WIRE RANGE 18-16 AWG.
INSULATION RANGE 2.03[.080]-2.54[.100].
- 8 1.27µm [.000050] MIN TIN PER MIL-T-10727 OVER 0.76µm [.000030] MIN NICKEL PER QQ-N-290.

| | | | | |
|----------|----------------|------|-----------|-----------|
| | SMALL PACK | 8 | 1-66100-9 | 2-66101-0 |
| | STANDARD | 8 | 1-66100-9 | 1-66101-9 |
| | SMALL PACK | 1 | 66100-4 | 1-66101-8 |
| | SMALL PACK | 4 | 66100-3 | 1-66101-7 |
| | SMALL PACK | 2 | 66100-2 | 1-66101-6 |
| | SMALL PACK | 3 | 66100-1 | 1-66101-5 |
| OBSOLETE | STANDARD | 5 | 1-66100-7 | 1-66101-4 |
| | STANDARD | 1 | 66100-4 | 66101-4 |
| | STANDARD | 4 | 66100-3 | 66101-3 |
| | STANDARD | 2 | 66100-2 | 66101-2 |
| | STANDARD | 3 | 66100-1 | 66101-1 |
| | PACKAGING TYPE | BODY | STRIP P/N | |

| | | | | | |
|--|--------------|------------------|--------------|---|---------------|
| THIS DRAWING IS A CONTROLLED DOCUMENT. | | DWN | 05/28/92 | Tyco Electronics Corporation | |
| DIMENSIONS: INCHES | | L.SIPE | 6-11-92 | City, State, Zip | |
| TOLERANCES UNLESS OTHERWISE SPECIFIED: | | CHK | W.LENKER | NAME | |
| 0 PLC ± - | | APVD | G.STEINHAUER | SOCKET ASSEMBLY, LOOSE PIECE, TYPE III+ | |
| 1 PLC ± - | | PRODUCT SPEC | | - | |
| 2 PLC ± 0.13 [.005] | | APPLICATION SPEC | | SIZE | CAGE CODE |
| 3 PLC ± - | | | | A2 | 00779 |
| 4 PLC ± - | | | | DRAWING NO | RESTRICTED TO |
| ANGLES ± - | | | | C=66101 | - |
| MATERIAL | FINISH | WEIGHT | | SCALE | SHEET |
| SEE CALLOUTS | SEE CALLOUTS | | | 8:1 | 1 OF 1 |
| CUSTOMER DRAWING | | | REV | D | |