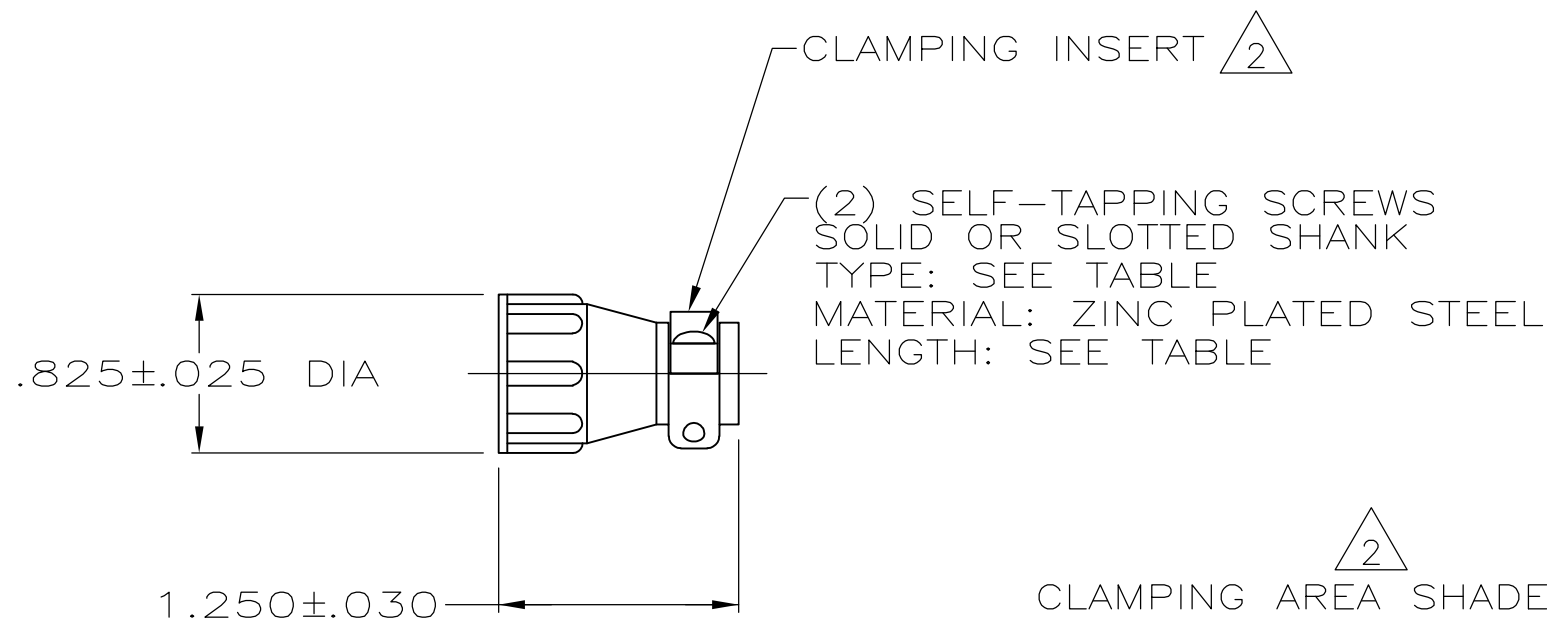


THIS DRAWING IS UNPUBLISHED. RELEASED FOR PUBLICATION  
 © COPYRIGHT BY TYCO ELECTRONICS CORPORATION. ALL INTERNATIONAL RIGHTS RESERVED.

LOC	DIST	REVISIONS					
		P	LTR	DESCRIPTION	DATE	DWN	APVD
-	-		U3	REVISED PER ECO-10-012730	20SEP10	HMR	MG



- 1 PARTS PACKAGED UNASSEMBLED.
- 2 CABLE CLAMPING AREA ADJUSTABLE FROM .004 TO .055 SQ IN BY REVERSING CLAMPING INSERTS.
- 3 .329 MAXIMUM CABLE OUTSIDE DIAMETER.
- 4 BULK PACKAGED KITS TO BE ORDERED IN MULTIPLES OF 400 ONLY.
- 5 OBSOLETE PART NUMBER.
- 6 STAINLESS STEEL (NON MAGNATIC).
- 7 CABLE CLAMP WITH NON-MAGNETIC STAINLESS STEEL SCREWS.
- 8 ZINC PLATED STEEL, NON-HEXAVALENT CHROMATE.
- 9 OBSOLETE PARTS: OBSOLETE CIS STREAMLINING PER D.RENAUD/D.SINISI

4 BULK	6	.50 <sup>±.00</sup> <sub>-.05</sub>	#5-20	1-206062-7
INDIVIDUAL	8	.38 <sup>±.00</sup> <sub>-.05</sub>	#5-20	1-206062-6
4 BULK	8	.38 <sup>±.00</sup> <sub>-.05</sub>	#5-20	1-206062-5
INDIVIDUAL	8	.50 <sup>±.00</sup> <sub>-.05</sub>	#5-20	1-206062-4
INDIVIDUAL	8	.62 <sup>±.00</sup> <sub>-.05</sub>	#5-20	1-206062-3
INDIVIDUAL	6	.50 <sup>±.00</sup> <sub>-.05</sub>	#5-20	1-206062-2
SUPERSEDED BY 1-206062-3	8	.62 <sup>±.00</sup> <sub>-.05</sub>	#5-20	1-206062-1
9 OBSOLETE	8	.38 <sup>±.00</sup> <sub>-.05</sub>	#5-20	1-206062-0
AMP BRAZIL USE ONLY		12mm <sup>±.0</sup> <sub>-.8</sub>	3mm-20	5 206062-9
AMP BRAZIL USE ONLY		10mm <sup>±.0</sup> <sub>-.8</sub>	3mm-20	5 206062-8
SUPERSEDED BY 1-206062-7	4 BULK	.50 <sup>±.00</sup> <sub>-.05</sub>	#5-20	206062-4
SUPERSEDED BY 1-206062-4	INDIVIDUAL	.50 <sup>±.00</sup> <sub>-.05</sub>	#5-20	206062-3
SUPERSEDED BY 1-206062-5	4 BULK	.38 <sup>±.00</sup> <sub>-.05</sub>	#5-20	206062-2
SUPERSEDED BY 1-206062-6	INDIVIDUAL	.38 <sup>±.00</sup> <sub>-.05</sub>	#5-20	206062-1
PACKAGING	SCREW FINISH	SCREW LENGTH	SCREW TYPE	PART NUMBER

THIS DRAWING IS A CONTROLLED DOCUMENT.		DWN A GRAFF 4/29/91	Tyco Electronics Corporation Harrisburg, PA 17105-3608	
DIMENSIONS: INCHES		CHK W.G.LENKER 7-22-92	NAME CABLE CLAMP KIT, STANDARD, SHELL SIZE 11, CPC	
TOLERANCES UNLESS OTHERWISE SPECIFIED: 0 PLC ± - 1 PLC ± - 2 PLC ± - 3 PLC ± - 4 PLC ± - ANGLES ± -		APVD -	PRODUCT SPEC -	
MATERIAL THERMOPLASTIC		FINISH -	APPLICATION SPEC -	RESTRICTED TO -
		WEIGHT -	SIZE A3	CAGE CODE 00779
		DRAWING NO C-206062		REV U3
		CUSTOMER DRAWING		SCALE NTS
		SHEET 1 OF 1		