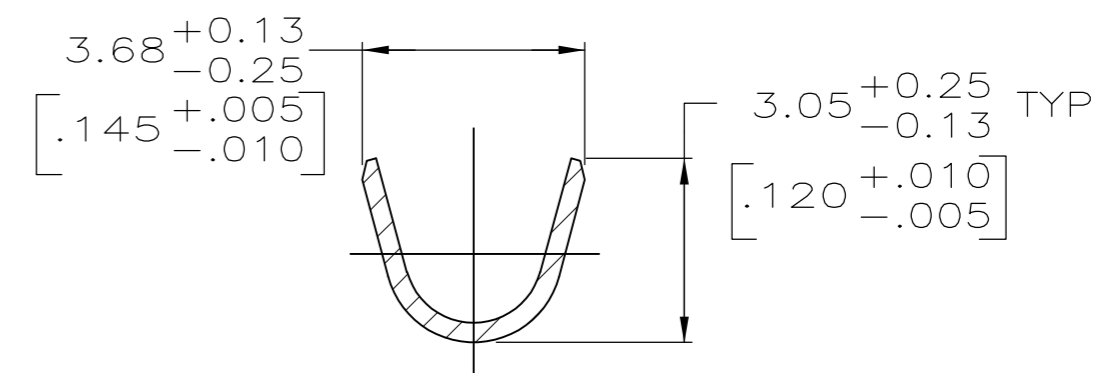
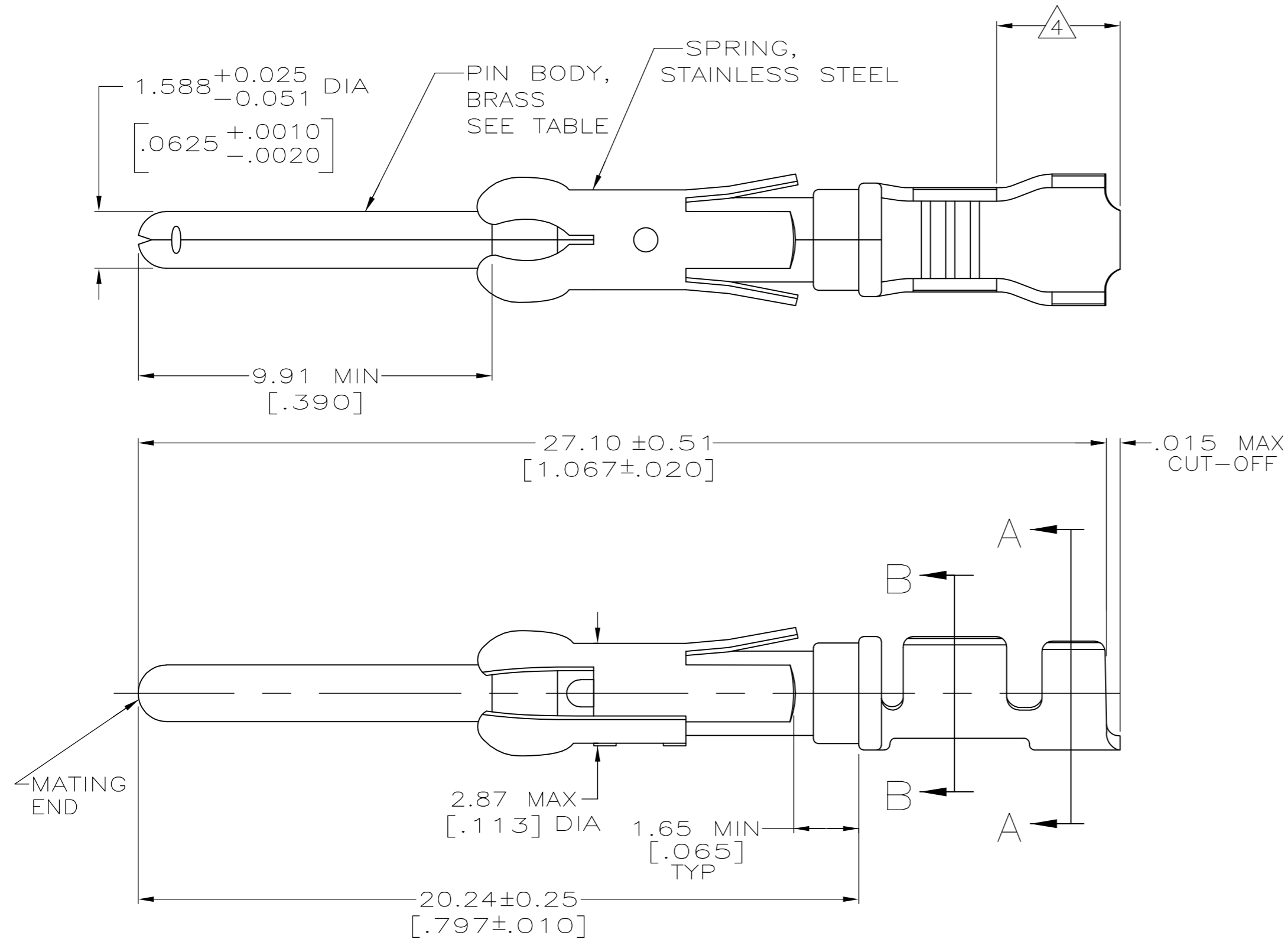
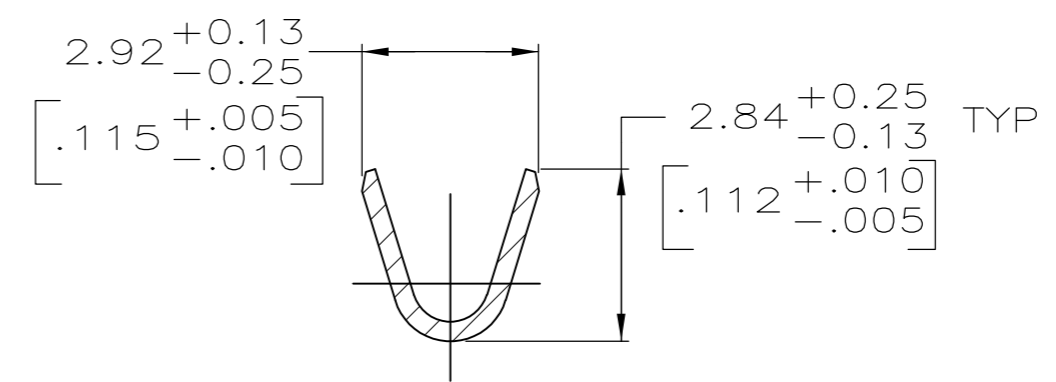


THIS DRAWING IS UNPUBLISHED. RELEASED FOR PUBLICATION
 © COPYRIGHT BY TYCO ELECTRONICS CORPORATION. ALL INTERNATIONAL RIGHTS RESERVED.

LOC	DIST	REVISIONS			
P	LTR	DESCRIPTION	DATE	DWN	APVD
FT	47	E	REV PER ECR 10-012675	13SEPT10	JR SH



SECTION A-A



SECTION B-B

- 1 0.76 μm [.000030] MIN PRECIOUS METAL PLATE ON MATING END FOR A LENGTH OF 5.08 [.200] MIN OVER 1.27 μm [.000050] MIN NICKEL PLATE. GOLD FLASH ALL OVER. CONFORMS TO THE REQUIREMENTS OF TYCO ELECTRONICS PRODUCT SPEC 108-10042, BASED ON EIA/ECA-364-1000.01A (CONTROLLED ENVIRONMENT APPLICATIONS).
- 2 0.76 μm [.000030] MIN PRECIOUS METAL PLATE ON MATING END FOR A LENGTH OF 5.08 [.200] MIN WITH A UNIFORM GRADIENT TO 0.25 μm [.000010] ON REMAINDER, OVER 1.27 μm [.000050] MIN NICKEL PLATE. GOLD FLASH ALL OVER. CONFORMS TO THE REQUIREMENTS OF TYCO ELECTRONICS PRODUCT SPEC 108-10042, BASED ON EIA/ECA-364-1000.01A (CONTROLLED ENVIRONMENT APPLICATIONS).
- 3 0.38 μm [.000015] MIN GOLD PER MIL-G-45204 ON MATING END FOR A LENGTH OF 5.08 [.200] MIN WITH GOLD FLASH ON THE REMAINDER OVER 1.27 μm [.000050] MIN NICKEL PER QQ-N-290.
- 4 GOLD PLATING NOT REQUIRED IN THIS AREA.
- 5 1.27 μm [.000050] MIN TIN-LEAD PER MIL-T-10727 OVER 1.27 μm [.000050] MIN NICKEL PER QQ-N-290.
- 6 WIRE RANGE 18-16 AWG.
- 7 INSULATION RANGE 2.03 [.080]-2.54 [.100] DIA.
- 8 0.38 μm [.000015] MIN GOLD PER MIL-G-45204 ON MATING END FOR A LENGTH OF 5.08 [.200] MIN, 1.27 μm [.000050] MIN TIN-LEAD PER MIL-T-10727 ON OPPOSITE END FOR A LENGTH OF 5.69 [.224] MIN, BOTH OVER 1.27 μm [.000050] MIN NICKEL PER QQ-N-290.
- 9 1.27 μm [.000050] MIN TIN PER MIL-T-10727 OVER 1.27 μm [.000050] MIN NICKEL PER QQ-N-290.

	SMALL PACK	9	1-66098-8	1-66099-6
	STANDARD	9	1-66098-8	1-66099-5
	SMALL PACK	1	66098-4	1-66099-4
	SMALL PACK	3	66098-3	1-66099-3
	SMALL PACK	5	66098-2	1-66099-2
	SMALL PACK	2	66098-1	1-66099-1
OBSOLETE	STANDARD	8	1-66098-6	1-66099-0
	STANDARD	1	66098-4	66099-4
	STANDARD	3	66098-3	66099-3
	STANDARD	5	66098-2	66099-2
	STANDARD	2	66098-1	66099-1
	PACKAGING TYPE	CONTACT FINISH	STRIP P/N REF	PART NO

THIS DRAWING IS A CONTROLLED DOCUMENT.

DWN	L.SIPE	05/29/92
CHK	W.LENKER	6-11-92
APVD	G.STEINHAUER	7-7-92

NAME: PIN ASSEMBLY, LOOSE PIECE, TYPE III+

TYCO ELECTRONICS CORPORATION, Harrisburg, PA 17105-3608

SIZE	CAGE CODE	DRAWING NO	RESTRICTED TO
A2	00779	C=66099	-

SCALE: 8:1 SHEET: 1 of 1 REV: E